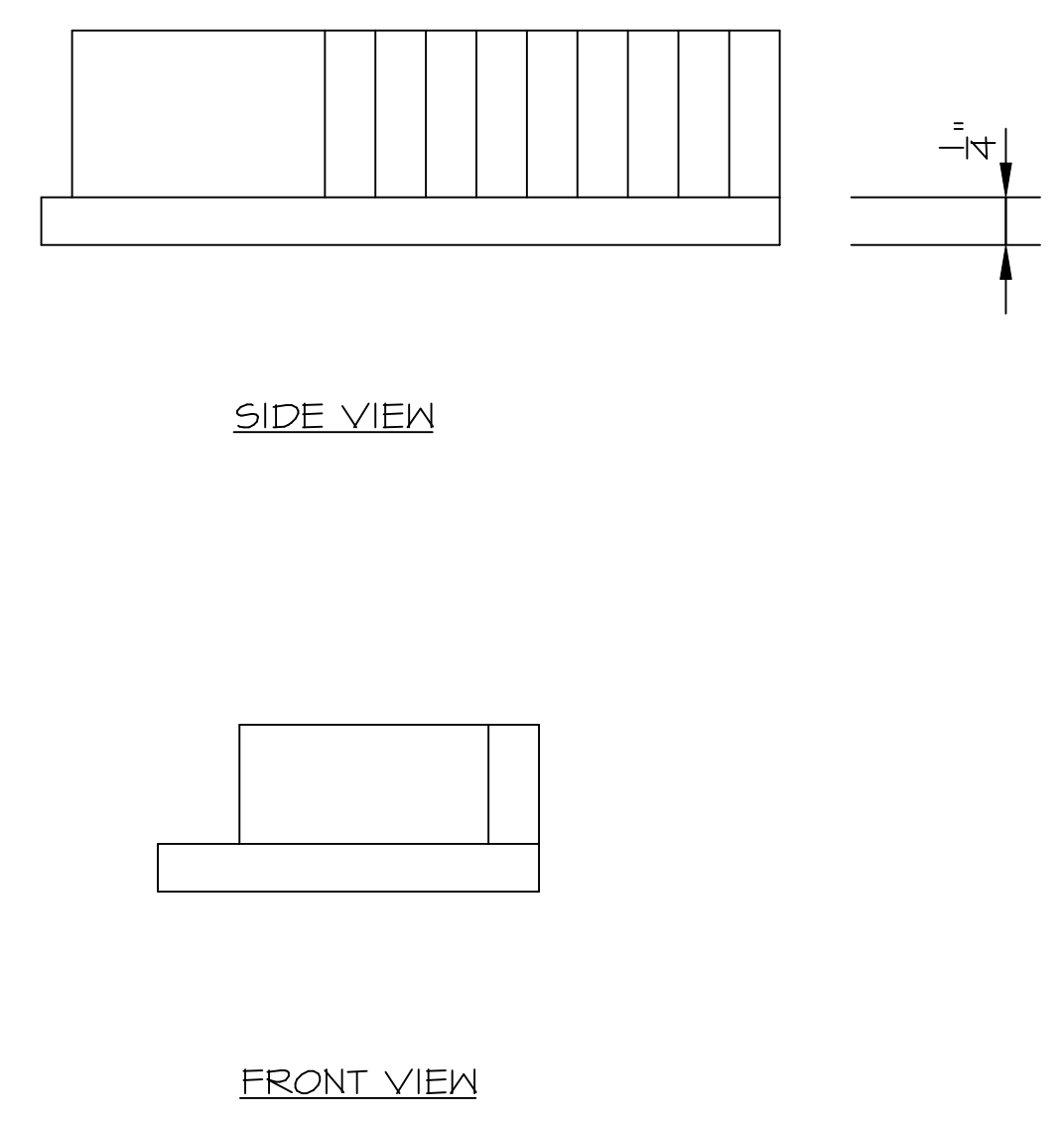


TOP VIEW

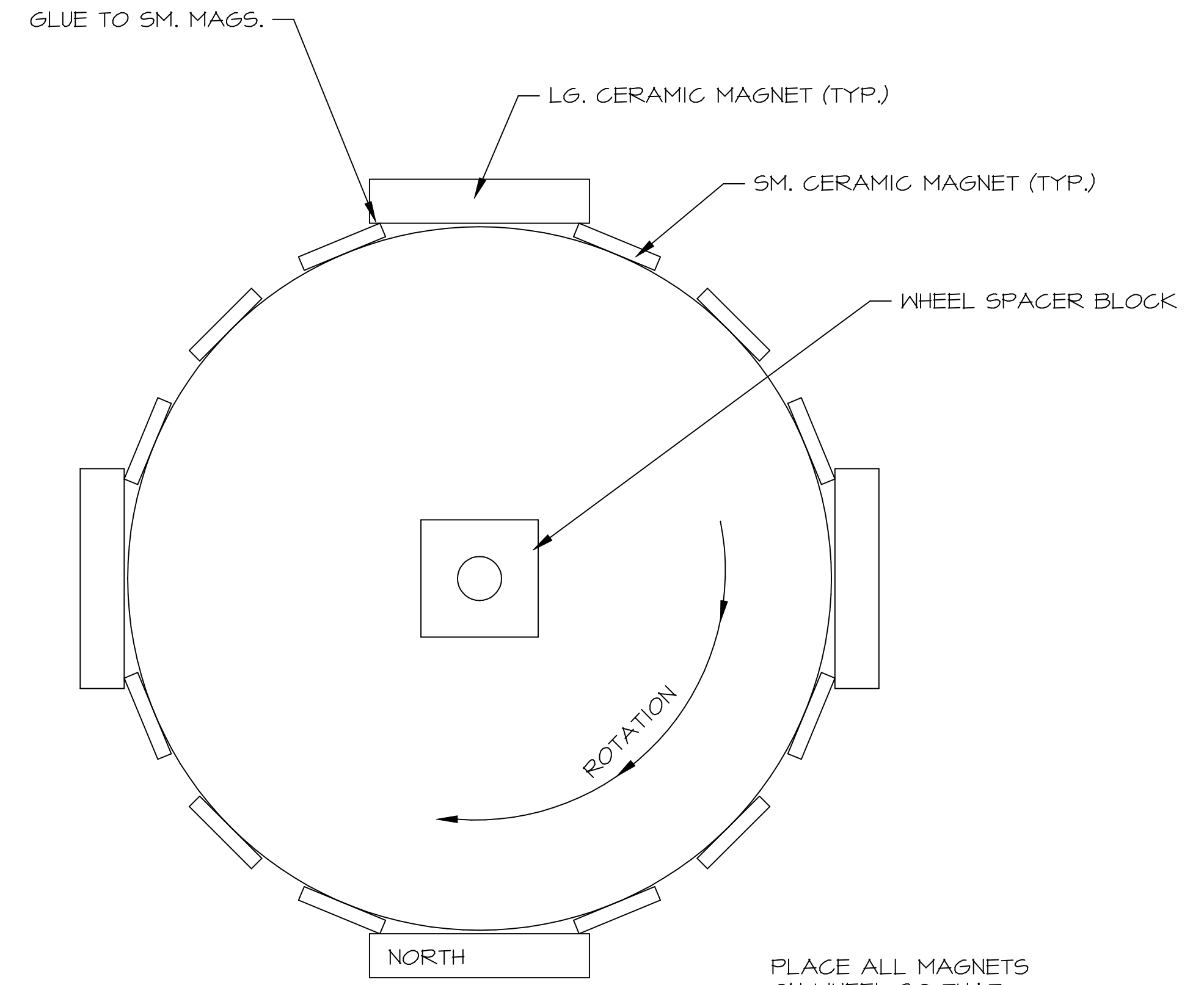
DRIVE MAGNET PLATE  
SCALE: 1" = 1"

NOTE: RIGHT DRIVE MAGNET PLATE IS DEPICTED. THE LEFT DRIVE MAGNET PLATE IS AN EXACT MIRROR IMAGE



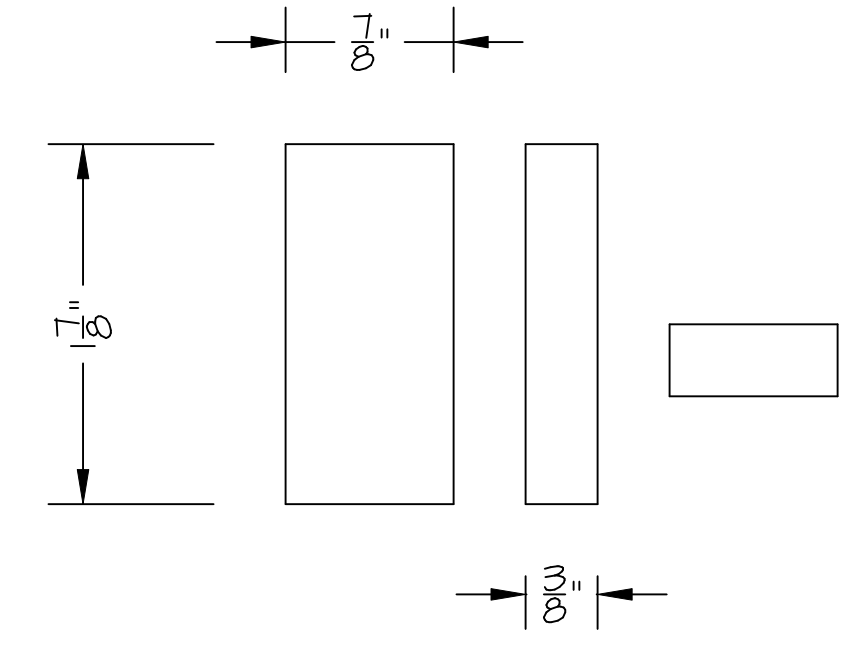
SIDE VIEW

FRONT VIEW

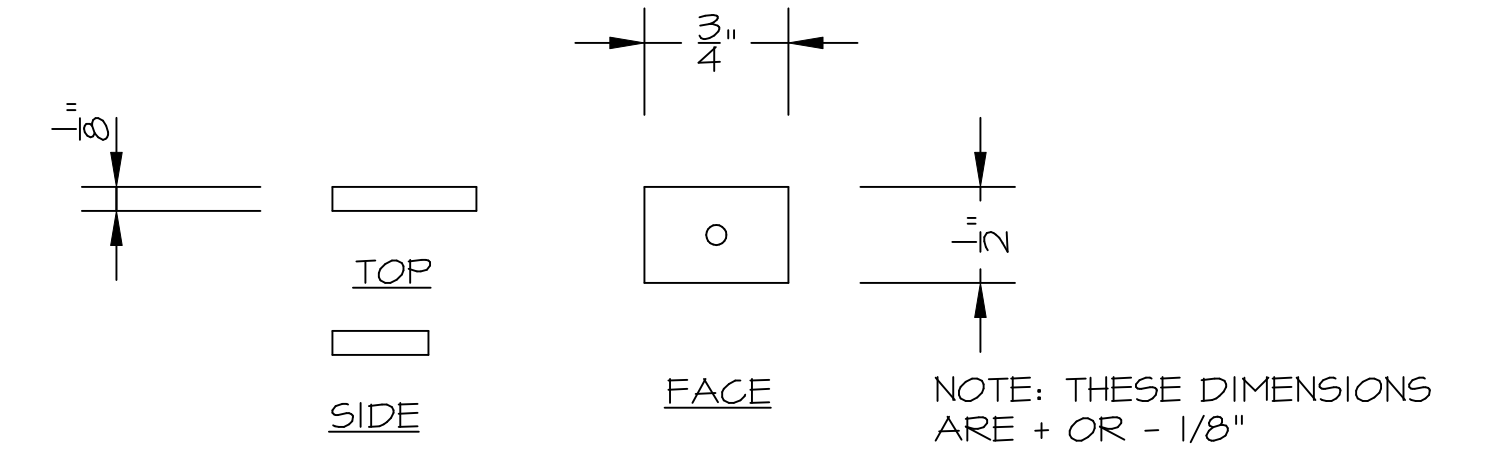


MOTOR WHEEL ASSEMBLY (SIDE VIEW)  
SCALE: 1" = 1"

PLACE ALL MAGNETS ON WHEEL SO THAT NORTH SIDE OF MAG IS FACING OUT ON RIGHT SIDE OF ROTATION

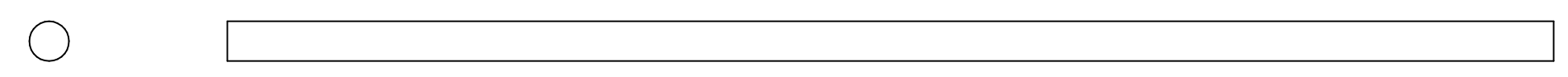


LG. CERAMIC MAGNETS (STOCK - 14 EA.)  
SCALE: 1" = 1"



SM. CERAMIC MAGNETS (STOCK-12 EA.)  
SCALE: 1" = 1"

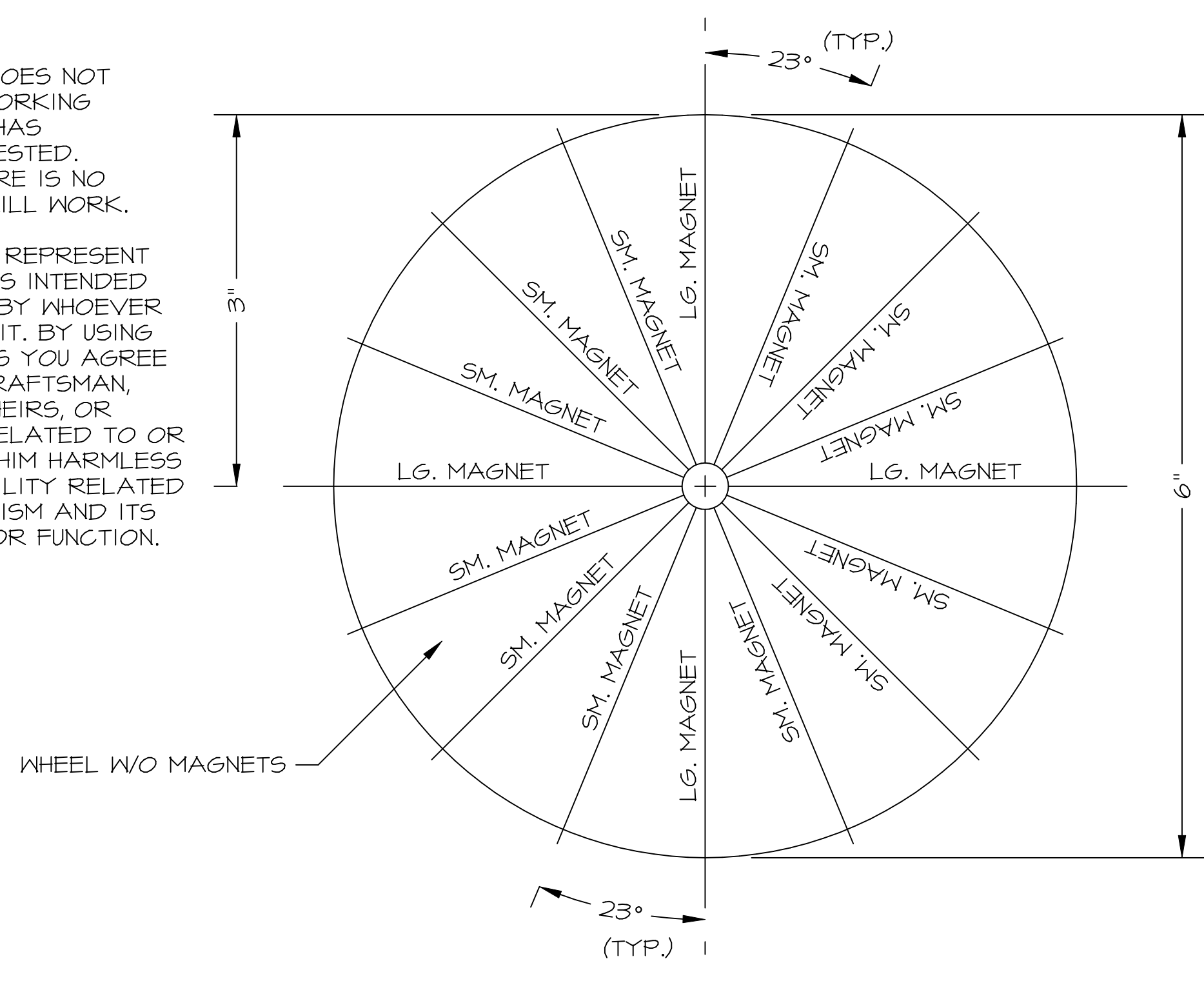
NOTE: THESE DIMENSIONS ARE + OR - 1/8"



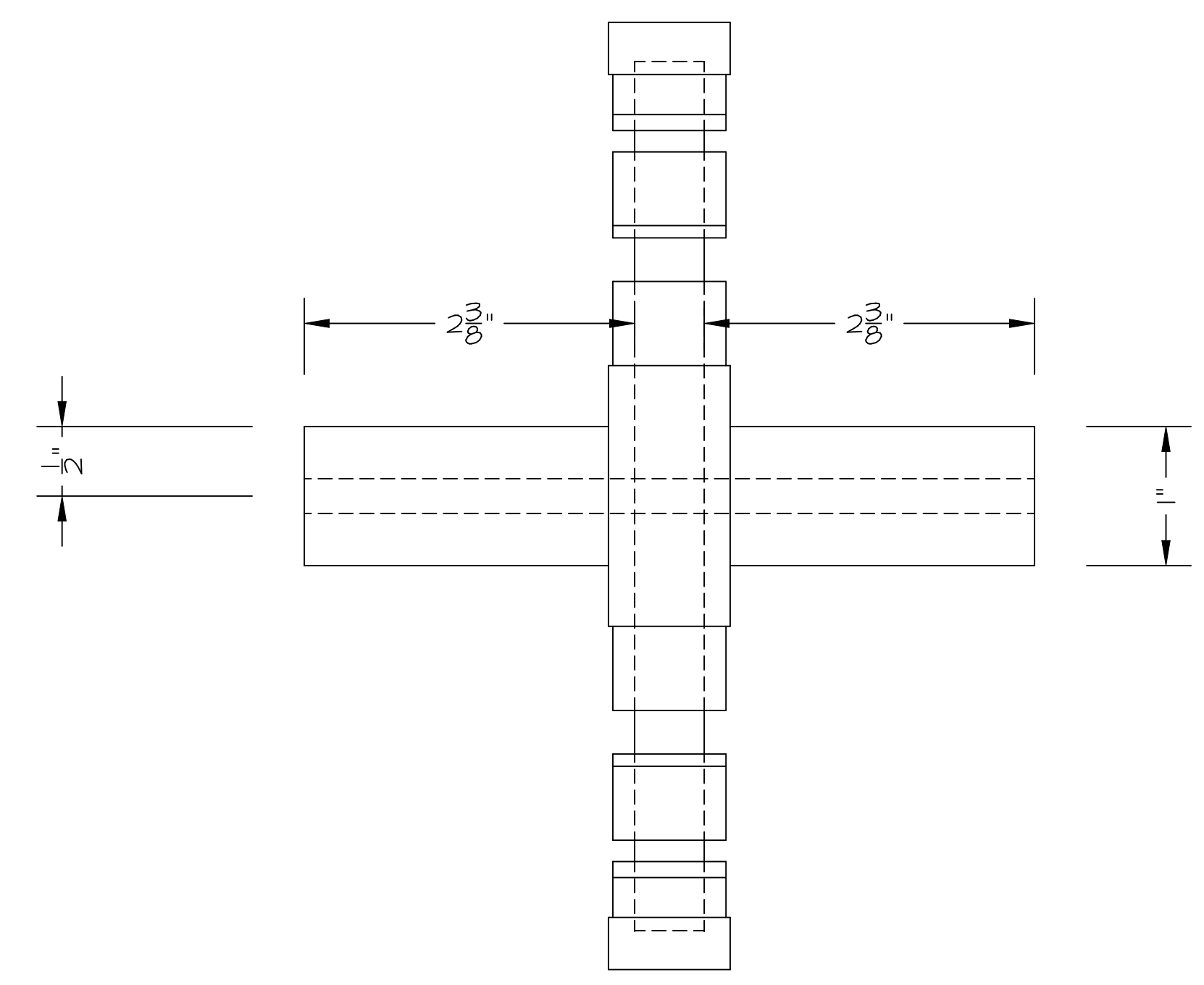
AXLE ROD MATERIAL: WOOD OR ALUM.  
SCALE: 1" = 1"

THIS DRAWING DOES NOT REPRESENT A WORKING PROTOTYPE. IT HAS "NEVER" BEEN TESTED. THEREFORE THERE IS NO GUARANTEE IT WILL WORK.

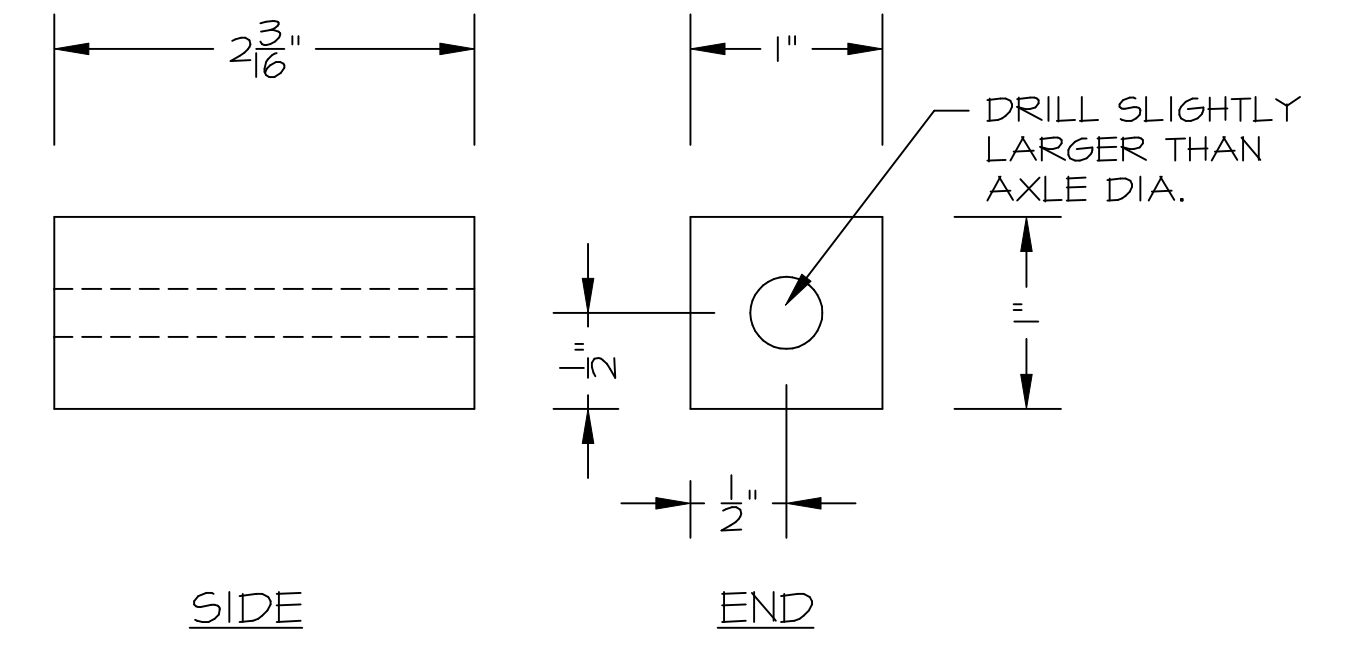
THESE DRAWING REPRESENT AN IDEA WHICH IS INTENDED TO BE REFINED BY WHOEVER TRIES TO BUILD IT. BY USING THESE DRAWINGS YOU AGREE TO HOLD THE DRAFTSMAN, TIM DAVIS, HIS HEIRS, OR ANYONE ELSE RELATED TO OR CONNECTED TO HIM HARMLESS FROM ANY LIABILITY RELATED TO THIS MECHANISM AND ITS CONSTRUCTION OR FUNCTION.



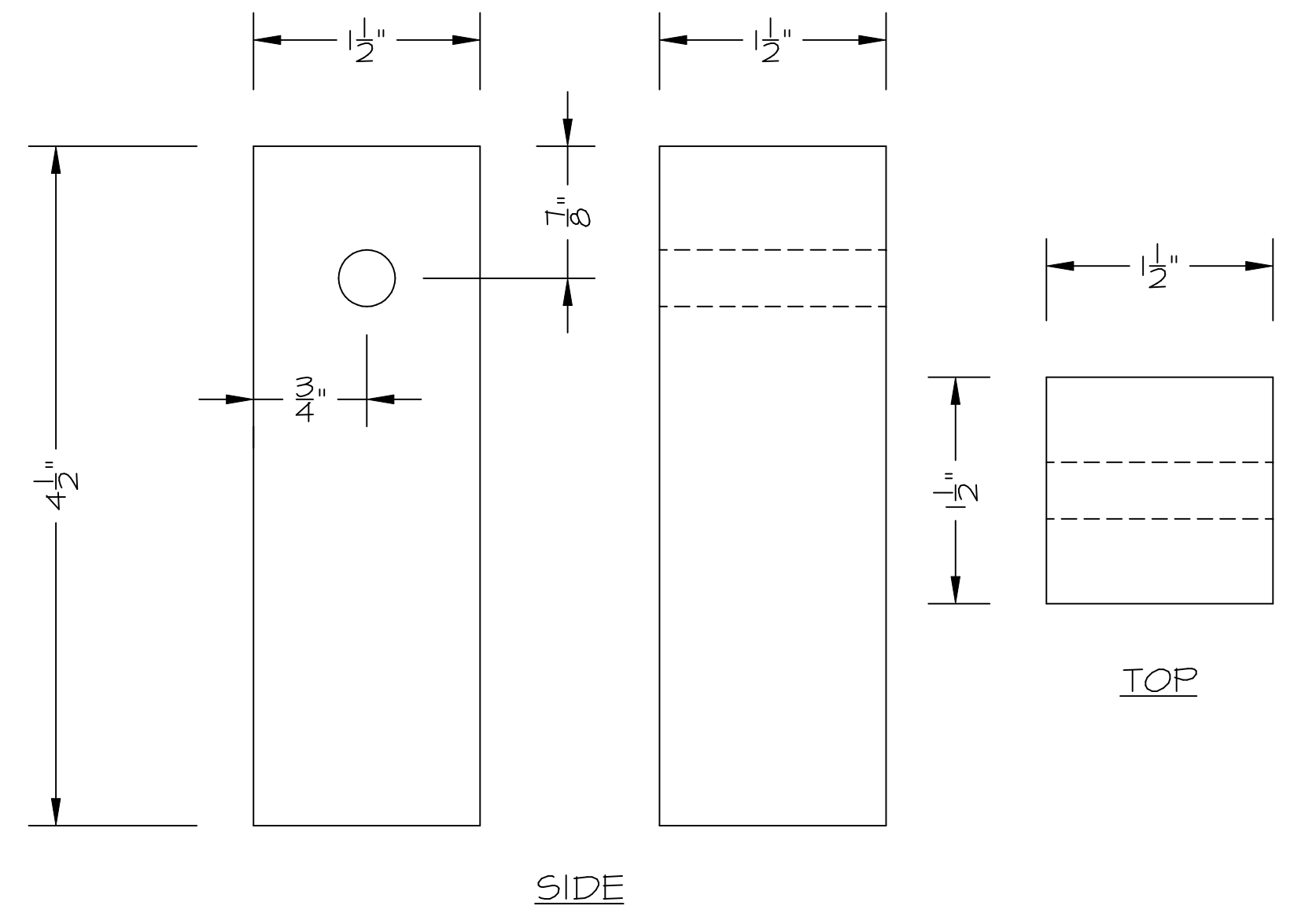
MOTOR WHEEL (W/O MAGNETS)  
SCALE: 1" = 1"



MOTOR WHEEL ASSEMBLY (END VIEW)  
SCALE: 1" = 1"



WHEEL SPACER BLOCK (2-EA.)  
SCALE: 1" = 1"



WHEEL STANCHION (2-EA.)  
SCALE: 1" = 1"